

Read the manual before machine using.

Model number
Series number

Both model number and serial number are to be found on the main label. Keep the both for future use.
Save the manual.

Safe using.

1.The way of working

- read both the manual and all of the informations on the main label.
- watch out the hazards caused by wrong machine using .



2.Drugs, alcohol and medicines

Do not operate the log splitter while being under the influence of drugs, alcohol or any medication that could affect your ability to use it properly.

3. use the machine in appropriate conditions.

- place log splitter at flat and stable surface 60-75 cm height, that will allow for its safe using.
- Bolt the log splitter to the work surface if it tends to slip or when it's unstable
- keep the work area clean and well lit
- Do not use the wood splitter in wet or moist area
- Do not use the log splitter in areas with paint fumes , solvents or flammable liquids might cause potential hazard.

4.Control technical efficiency of the splitter

- check the log splitter before its operating
- keep the working area clean
- do not leave any tools in machine's working area
- replace damaged spare parts



5.Dress properly

- do not wear loose clothes, gloves, jewellery
- put on electrically non conductive gloves and non-skid footwear
- put on a hairnet in case of long hair



6. Eyes and face protection

- log splitter while operating may throw little wood pieces at the side which may cause permanent damage (eyes). According to the above always wear safety goggles Chile machine operating. Everyday glasses don't prevent against the danger of eyes damaging.
- for your safety do not split the wood with the log splitter placed on the ground.



7. Extension cords

Improper use of extension cords may cause inefficient operation of the log splitter which can result in overheating or even a fire. Wrong extension cord connecting can even cause machine damaging

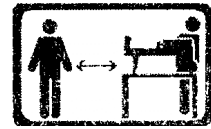
- the extension cord can be no longer than 10m and its section is no less than 2.5mm² to allow sufficient current flow to the motor.
- connections must be made with protected material suitable for outdoor use.

8 Avoid electrical shock

- Check that the electric circuit is adequately protected and that it corresponds with the power, voltage and frequency of the motor.
- Check if there is a ground connection
- Make sure that there aren't any wire connecting objects In log splitter operating area
- Never open the pushbutton box on the motor by yourself, however if it's necessary- contact a qualified electrician

9. Users

- The log splitter can be operated by one person only
- Other people should keep a safe distance from the work area, especially when the log splitter is under operations
- make sure that the floor is not slippery
- do not stand on the log splitter nor **brace it**.
- do not put additional parts nor tools on the wood splitter



10. Avoid injury

- Always pay full attention to the movement of the log pusher.
- Do not attempt to load the log on until the log pusher has stopped



11 Protect your hands

- Keep you hands away from splits and cracks coming from the log
- In case of wood wedge - do not remove jammed logs with you hands , keep away especially from splitting gusset gap – there is a danger that wood will suddenly be out of the splitter and the gap will close which may cause serious injury or even amputation.



12. Wood should be freely placed in the space between the piston and the gusset.

13. Never try to split logs larger than those indicated in the specifications table. This could be dangerous and may damage the machine.

14. Don't use log splitter for a purpose for which it was not intended.

15. Don't leave the log splitter on.

16. Unplug when not in use, before making adjustments, changing parts, cleaning, or working on the log splitter

17. Consult technical manual before servicing.

18. Environment protection

- Take used oil to an authorized collection point
- Do not discharge oil into drains, soil or water

19. Maintain your log splitter with care

-keep the log splitter clean

20. Children

- Keep the machine off the power in the place unreachable for children and for unauthorized for its using.



Application conditions

This log splitter is a home use model. It is designed for operating under ambient temperatures between +5°C and 40°C and for installation at altitudes no more than 1000m above M.S.L. The surrounding humidity should less than 50% at 40°C. It can be stored or transported under ambient temperatures between -25°C and 55°C.

SPECIFICATIONS

Model Number		LS4T-37	LS4T-52
Motor		230V~ 50Hz 1500W IP54	
Log Capacity	Diameter *	5 ~ 25cm	
	Length	37cm	52cm
Splitting Force		4 t	
Hydraulic Pressure		16Mpa	
Hydraulic Oil Capacity		2.4 L	3.5L
Overall Size	Length	780mm	940mm
	Width	270mm	
	Height	510mm	
Weight		41 kg	48 kg

* The diameter of the log is indicative – a small log can be difficult to split when it has knobs. On the other hand, it may not be difficult to split logs with regular fibers even if its diameter exceeds the

max. figure indicated above.

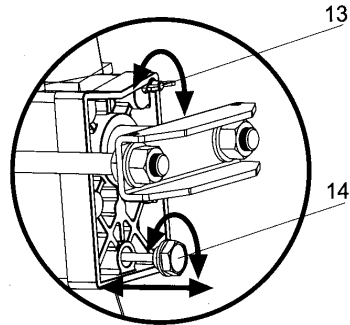
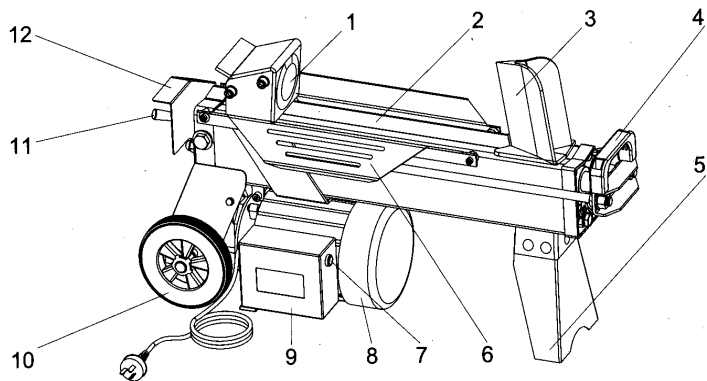
ELECTRICAL REQUIREMENTS

Connect the main leads to a standard 230V \pm 10% (50Hz \pm 1Hz) electrical supply which has protection devices rated at 0.03A.

SET UP AND PREPARATION FOR OPERATION

1. Bolt the Support Leg (5) to the Log Splitter, lift the log splitter by the handles at both ends and place it on a 60 – 75cm high, stable, flat and level work surface.
2. Familiarize yourself with the controls and features of this log splitter in the illustrations.

1. Log Pusher
2. Work Table
3. Wedge
4. Lift Handle
5. Support Leg
6. Log Retaining Plates
7. Switch
8. Motor
9. Pushbutton Box
10. Wheels for Minor Moving ONLY.
11. Hydraulic Control Lever
12. Control Lever Guard
13. Bleed Screw
14. Oil Drain Bolt w/ Dipstick



Before operating the log splitter, the Bleed Screw (13) should be loosened by some rotations until air can go in and out of the oil tank smoothly. The Bleed Screw should be loosened by making 2-5 turns left- then the hydraulic pressure will be equal outer pressure.

Before moving the log splitter, make sure the Bleed Screw(13) is tightened to avoid oil leaking from this point.

non using the instructions above can cause the damage of hydraulic system's gaskets

CAUTION

DO NOT ADJUST THE MAX PRESSURE LIMITING SCREW !

Max pressure was set while producing and pressure limiting screw is sealed with lacquer.

Unauthorized resetting will cause the hydraulic pump fail to output enough splitting pressure or *RESULT IN SERIOUS INJURY AS WELL AS DAMAGE TO THE MACHINE*

Str 7

5.LOG SPLITTER OPERATION

This log splitter is equipped with “ZHB” control system that requires to be operated by both hands of the user – Left hand controls the hydraulic control lever while right hand controls the pushbutton switch. The log splitter will freeze upon absence of either hand.

Never force the log splitter for more than 5 seconds by keeping pressure on it to split excessively hard wood.

After this time interval, the oil under pressure will be overheated and the machine could be damaged. For such extremely hard log, rotate it by 90° to see whether it can be split in a different direction. In any case, if you are not able to split the log, this means that its hardness exceeds the capacity of the machine and thus that log should be discarded to protect the log splitter.

Always set logs firmly on the log retaining plates and work table. Make sure logs will not twist, rock or slip while being split. Do not force the blade by splitting the log on the upper part. This will break the blade or damage the machine.

Break log in the direction of its growing grain. Do not place log across the log splitter for splitting. It may be dangerous and may seriously damage the machine.

Do not attempt to split 2 pieces of logs at the same time. One of them may fly up and hit you.

5.1 FREEING A JAMMED LOG

- 1.Release both controls.
- 2.After the log pusher moves back and completely stops at its starting position, insert a wedge wood under the jammed log.
- 3.Start the log splitter to push the wedge wood to go completely under the jammed one.
- 4.Repeat above procedure with sharper slope wedge woods until the log is completely freed

Str 8

Do not try to knock the jammed log off (for example with the hammer). Knocking about will damage the machine or may launch the log and cause accident.

5.2 REPLACING HYDRAULIC OIL

Replace the Hydraulic oil in the log splitter after every 150 hours of use. Take following steps to replace it

- 1.Make sure all moving parts stops and the log splitter is unplugged.
- 2.Unscrew Oil Drain Bolt with Dipstick to remove it.
- 3.Turn the log splitter on the Support Leg side over an 4 liters capacity container to drain the hydraulic oil off.
- 4.Turn the log splitter on the the motor side.
- 5.Refill fresh hydraulic oil at the volume as per the hydraulic oil capacity of a particular model indicated in above specifications table.
- 6.Clean the surface of Dipstick on the Oil Drain Bolt and put it back into the oil tank while keep the log splitter vertically.
- 7.Make sure the level of the refilled oil is just between 2 grooves around the Dipstick.
- 8.Clean the Oil Drain Bolt before thread them back. Make sure they are tightened to avoid leakage before place the log splitter horizontally.

CAUTION

Periodically check oil level to ensure it is between 2 grooves around the Dipstick. Upon Lower oil level, oil refilling is required.

There are such hydraulic oils recommended:

SHELL Tellus 22
MOBIL DTE 11
ARAL VITAM GF 22
BP Energol HLP-HM 22

5.3. SHARPENING WEDGE

After using the log splitters for some time, sharpen the wedge of the log splitter using a fine-toothed file and smooth any burrs or crushed area along the cutting edge.

6. Problem solving

PROBLEM	PROBABLE CAUSE	REMEDY SUGGESTED
Motor Stops right after start	Overload Protection Device disengaged to protect the log splitter from being damaged	Contact a qualified Electrician for opening the Pushbutton Box to engage the Overload Protection Device inside *
Fails to split logs	Log is improperly positioned	Refer to " Log Splitter Operation" section for perfect log loading.
	The sizes or hardness of the log exceeds the capacity of the machine	Reduce the log sizes before splitting it on the log splitter
	Wedge cutting edge is blunt	Refer to " Sharpening Wedge " section to sharpen the cutting edge.
	Oil leaks	Locate leak(s) and contact the dealer
	Unauthorized adjustment was made on Max. Pressure Limiting Screw. Lower max pressure rating was set.	Contact the dealer.
The log pusher moves jerkily, taking unfamiliar noise or vibrating a lot	Lack of hydraulic oil and excessive air in the hydraulic system.	Check oil level for possible oil refilling. Contact the dealer.
Oil leaks around cylinder ram or from other points.	Air sealed in hydraulic system while operating.	Loosen Bleed Screw (13) by 3 ~ 4 rotations before operating the log splitter
	Oil Drain Bolt with Dipstick is not tight.	Tighten the Oil Drain Bolt (13).
	Hydraulic Control Valve Assembly and / or seal(s) worn	Contact the dealer

7. Using disposal.

The appliance is approved according to the European Directive 2002/96/EC in the matter of electrical and electronic devices' waste(WEEE). Ensuring right its scrapping you help to protect the environment.

The symbol placed either on the device or in the documents enclosed means that the product isn't classified as a household waste.

The log splitter should be taken to an authorized collection point in the matter of electric and electronic components recycling.

The log splitter should be scrapped according to local regulations according waste utilization.

More informations according utilization , scrapping and recycling you can get in the local city hall, in civic waste utilization company or in the place of he machine buying.

